

Thrust pads

for Grub screws GN 632.1 / GN 632.5

SPECIFICATION

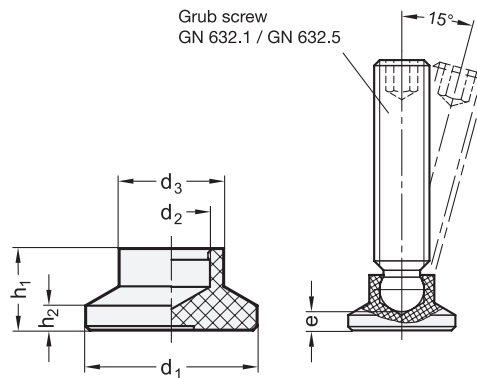
- Plastic
- Technopolymer (Polyacetal POM)
- temperature resistant up to 80 °C
- black, matt

INFORMATION

Thrust pads GN 631 with ball point grub screw GN 632.1 (see page 914) / GN 632.5 (see page 915) are ideal to transmit clamping forces. They lean to uneven and unparallel surfaces. They are easy to press-on to the ball point of the grub screw by hand.



Mounting example



GN 631

| Description | d1 | d2 | d3 | e ≈ | h1 | h2 | Grub screw GN 632.1/ GN 632.5 | ⚖ |
|---------------|----|-----|------|------|------|-----|-------------------------------------|----|
| GN 631-15-4.5 | 15 | 4.5 | 8.6 | 3.6 | 7.6 | 2.5 | M 6 | 1 |
| GN 631-15-6.1 | 15 | 6.1 | 8.6 | 2.5 | 7.6 | 2.5 | M 8 | 1 |
| GN 631-18-4.5 | 18 | 4.5 | 10.8 | 5.2 | 9.2 | 2.5 | M 6 | 1 |
| GN 631-18-6.1 | 18 | 6.1 | 10.8 | 4.2 | 9.2 | 2.5 | M 8 | 2 |
| GN 631-18-7.8 | 18 | 7.8 | 10.8 | 3.8 | 9.2 | 2.5 | M 10 | 2 |
| GN 631-21-4.5 | 21 | 4.5 | 12.8 | 6 | 10 | 3 | M 6 | 2 |
| GN 631-21-6.1 | 21 | 6.1 | 12.8 | 5 | 10 | 3 | M 8 | 3 |
| GN 631-21-7.8 | 21 | 7.8 | 12.8 | 4.3 | 10 | 3 | M 10 | 3 |
| GN 631-21-9.4 | 21 | 9.4 | 12.8 | 3.4 | 10 | 3 | M 12 | 3 |
| GN 631-25-4.5 | 25 | 4.5 | 13 | 6.5 | 10.5 | 3 | M 6 | 5 |
| GN 631-25-6.1 | 25 | 6.1 | 13 | 5.5 | 10.5 | 3 | M 8 | 5 |
| GN 631-25-7.8 | 25 | 7.8 | 13 | 4.6 | 10.5 | 3 | M 10 | 5 |
| GN 631-25-9.4 | 25 | 9.4 | 13 | 3.6 | 10.5 | 3 | M 12 | 5 |
| GN 631-32-4.5 | 32 | 4.5 | 14 | 7 | 11 | 3 | M 6 | 6 |
| GN 631-32-6.1 | 32 | 6.1 | 14 | 6 | 11 | 3 | M 8 | 6 |
| GN 631-32-7.8 | 32 | 7.8 | 14 | 5 | 11 | 3 | M 10 | 6 |
| GN 631-32-9.4 | 32 | 9.4 | 14 | 4.2 | 11 | 3 | M 12 | 6 |
| GN 631-40-6.1 | 40 | 6.1 | 16 | 8 | 13 | 4 | M 8 | 10 |
| GN 631-40-7.8 | 40 | 7.8 | 16 | 7 | 13 | 4 | M 10 | 10 |
| GN 631-40-9.4 | 40 | 9.4 | 16 | 6.2 | 13 | 4 | M 12 | 10 |
| GN 631-50-6.1 | 50 | 6.1 | 16 | 10.4 | 15.5 | 4 | M 8 | 12 |
| GN 631-50-7.8 | 50 | 7.8 | 16 | 9.3 | 15.5 | 4 | M 10 | 12 |
| GN 631-50-9.4 | 50 | 9.4 | 16 | 8.7 | 15.5 | 4 | M 12 | 12 |